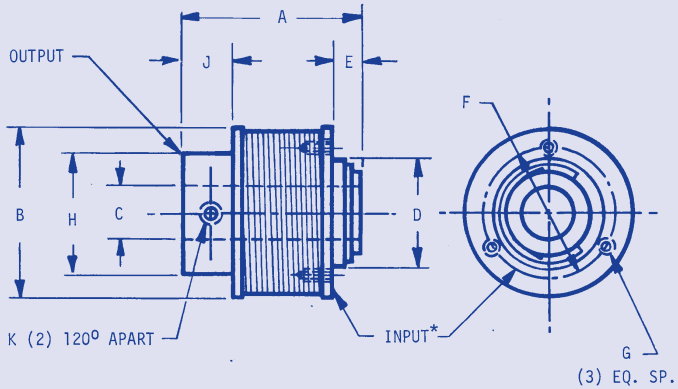


ONE WAY CLUTCHES

SHAFT SIZES
1/8 TO 5/8

OVER RUNNING SPRING WRAPPED TYPE



Applications:

- Unidirectional stepping.
- Automatic flywheel decoupling.
- Backstopping.

Material: Stainless steel with oil-impregnated bronze bearings. ORDER BY CATALOG NUMBER

| Cat. No. | * Drive Direction | Max Drive Torque | Reverse or Overrunning Torque | Wt. (oz.) | A | B | C +.001 -.000 | D +.000 -.0010 | E | F | G | H | J | K | | |
|--|------------------------|---------------------|-------------------------------|-----------|------|------|---------------------|----------------------|-----|-------|---------------------------|------|-----|--------|--|--|
| EVX-01-12 EVX-02-12 EVX-01-18 | CW CCW CW | 800 oz./ in. | 3 oz.-in. Max. | 4 | 1.07 | .99 | .1248 | .3748 | .14 | .730 | #2-56 x .15 Deep | .88 | .27 | #4-40 | | |
| EVX-02-18 | CCW | | | | | | .1873 | .562 | | | | | | #6-32 | | |
| EVX-01-25 EVX-02-25 EVX-01-31 EVX-02-31 | CW CCW CW CCW | | | | | | .2498 | | | | | | | | | |
| | | | | | | | .3123 | | | | | | | | | |
| EVX-01-37 EVX-02-37 | CW CCW | 2000 oz./ in. | 5 oz.-in. Max. | 10 | 1.32 | 1.56 | .3748 | 1.000 | .22 | 1.250 | #4-40 x .18 Deep | 1.38 | .38 | #10-32 | | |
| EVX-01-50 | CW | | | | | | .4998 | | | | | | | | | |
| EVX-02-50 EVX-01-62 EVX-02-62 | CCW CW CCW | | | | | | .6248 | | | | | | | | | |
| | | | | | | | | | | | | | | | | |

*When viewed from the input end.
Please inquire for Nordex assembly charges.